

OnePak™ Indoor Mini-Dome Series

- 480 TVL High Resolution Color Camera
- 3 to 6mm Vari-focal Lens
- Surface Mount mini Dome with 3.6 Inch Lower Dome
- Accepts Both 12V DC and 24V AC
- Recessed In-Ceiling Adapter Available (VA-MT174)
- 3 Year Warranty

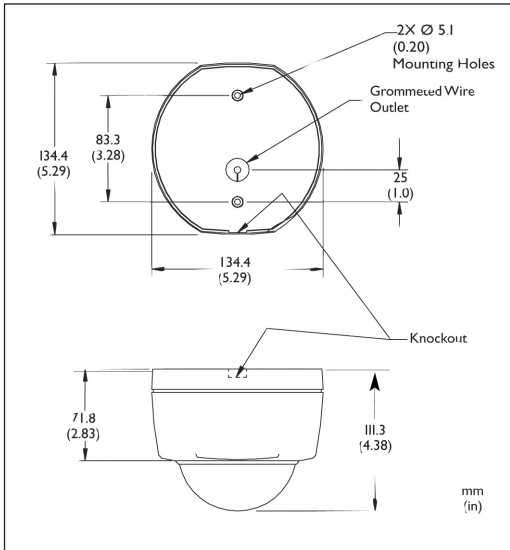
VSE-SC174VA



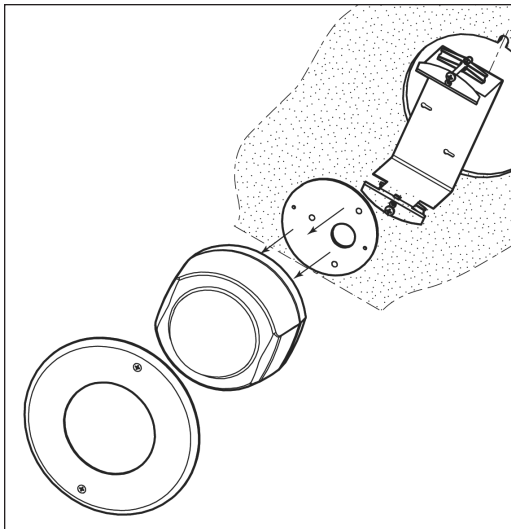
VSE-SC174VA with VA-MT174
In-Ceiling Adapter

VSE-SC174VA

ONEPAK™ INDOOR
MINI-DOME SERIES



VSE-SC174VA



VA-MT174 In-Ceiling Adapter

Specifications

CAMERA SPECIFICATIONS	
Horizontal Resolution	480 TVL
Voltage Range	21-27V AC or 11-13V DC, 60Hz
Power	3W
Sensitivity	(f/1.2 lens, 50 IRE) 1.2 lux
Imager	1/4-inch Image Format; Interline Transfer CCD
System	NTSC
Signal to Noise	Varifocal - More Than 50dB
Electronic Shutter	1/60 EIA or 1/100,000
Backlight Compensation	Selectable On/Off Control
White Balance	Automatic Sensing Through the Lens (TTL System): + 2700 K to 9000 K
Video Output	Composite; 1.0 Vp-p, 75ohm
Synchronization	AC Line-lock: (AC supplied) DC Crystal-Lock: (DC supplied or Line-Lock off)
Phase Adjust	0° to 330°
Connector	Video BNC Power In-line Push Wire Connectors
Controls	Varifocal Iris-CD/AES Flickerless On/Off BLC On/Off Sync Mode INT/L.L.
LENS SPECIFICATIONS	
Focal Range	3-6mm
Iris Range	f/1.2-200
Iris/Shutter	DC Auto Iris
Format	1/4-inch
MECHANICAL SPECIFICATIONS	
Construction	Acrylic Dome (with Light tint) on molded plastic housing
Finish	White
Weight	0.9 lb (0.4 kg)
Cable Entry	Push Wire Connectors
Surface Mount	Mounts on wall or ceiling (Recessed mounting kit available)
ENVIRONMENTAL (Rated for Indoor Use Only)	
Temperature Operating	+14°F to +122°F (-10°C to +50°C)
Storage	-4°F to +122°F (-20°C to +50°C)
Humidity	0% to 90% Relative, Noncondensing
ELECTROMAGNETIC COMPATIBILITY	
EMC	CD Immunity, FCC Class A. Designed to meet: CE Immunity, CE Emission Class A
Safety	UL, cUL. Designed to meet: CE

Specifications and product design are subject to change without notice.
©2003 SANYO Security Video

SANYO

SANYO Security Video
21605 Plummer Street
Chatsworth, CA 91311
Phone: (888) 893-7403
Fax: (888) 818-2597
Technical Support: (888) 66-SANYO
www.sanyocctv.com