

VANDAL PROOF DOME SERIES

VANDAL PROOF DOME SERIES

Surface Type and In-Ceiling Type

- 1/3" CCD Images Sensors
- VDC-C1174VA/VDC-C2174VA:
High Resolution Color, 460 TVL
- VDC-C1124V/VDC-C2124V:
Standard Resolution Color, 330 TVL
- VDC-M1124V/VDC-M2124V:
Standard Resolution B/W, 380 TVL
- Center-zone Backlight Compensation
- Built-in f=4-8mm Vari-focal Lens
- In-ceiling and Surface Mount Versions Available
- 24V AC and 12V DC, Dual Power Operation
- IP66 Weatherproofing Standard
- 3-year Warranty

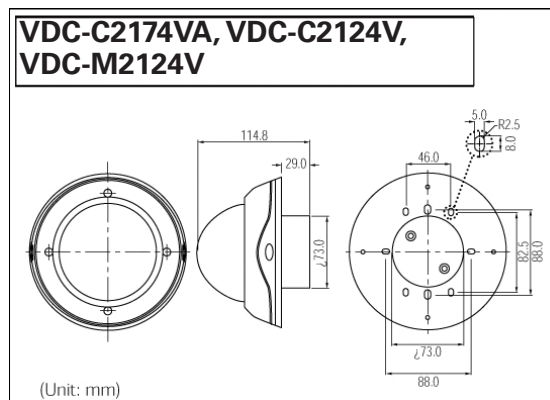
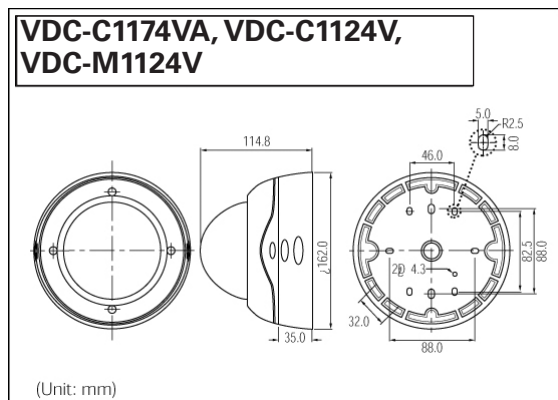
VDC-C1174VA
VDC-C2174VA
VDC-C1124V
VDC-C2124V
VDC-M1124V
VDC-M2124V



VANDAL PROOF DOME CAMERA

SURFACE TYPE AND IN-CEILING TYPE

MODEL	VDC-C1174VA/VDC-C2174VA	VDC-C1124V/VDC-C2124V	VDC-M1124V/VDC-M2124V
Scanning System	NTSC Standard 525 Lines, 30fps, 2:1 Interlace	NTSC Standard 525 Lines, 30fps, 2:1 Interlace	NTSC Standard 525 Lines, 30fps, 2:1 Interlace
Image Sensor	1/3" (approx. 4.8mm x 3.6mm) Interline Transfer Method CCD	1/3" (approx. 4.8mm x 3.6mm) Interline Transfer Method CCD	1/3" (approx. 4.8mm x 3.6mm) Interline Transfer Method CCD
Picture Elements	Total	811(H) x 508(V)	542(H) x 492(V)
	Effective	768(H) x 494(V)	510(H) x 492(V)
Horizontal resolution	460 TVL	330 TVL	380 TVL
Minimum Illumination	1.5 Lux with F2.0 Lens	1.0 Lux with F2.0 Lens	0.1 Lux with F2.0 Lens
Video Output Level	1.0V (p-p) (75 Ohms, Composite)	1.0V (p-p) (75 Ohms, Composite)	1.0V (p-p) (75 Ohms, Composite)
Video S/N Ratio	More than 48 dB	More than 48 dB	More than 50 dB
Backlight Compensation	Center-Zone Light Measuring System ON / OFF - Slide SW (side)	Center-Zone Light Measuring System ON/OFF - Slide SW (side)	Center-Zone Light Measuring System ON - Fixed
White-Balance	ATW / AWB / Manual	ATW / AWB / Manual	-
Gain Control	Auto Gain Control, ON	Auto Gain Control, ON/OFF - Slide SW (side)	Auto Gain Control, ON/OFF - Slide SW (side)
Gamma	$\gamma = 0.45$ or 0.6 Dip. SW.	$\gamma = 0.45$ or 0.6 Dip. SW.	$\gamma = 0.45$ or 0.6 Dip. SW.
Electronic Shutter	8 speeds - Dip. SW. 1/60, 1/100, 1/250, 1/500, 1/1000, 1/2000, 1/4000, 1/10,000		
Light Control	Optical Auto Iris Lens	-	-
Lens	Built-in Vari-Focal Lens (F2.0 to 2.8, f=4-8mm)	Built-in Vari-Focal Lens (F2.0 to 2.8, f=4-8mm)	Built-in Vari-Focal Lens (F2.0 to 2.8, f=4-8mm)
Auto Iris Lens	-	-	-
Angle of View	Horizontal	360°	360°
	Vertical	80°	80°
Lens Iris Level	-	-	-
Electronic Iris	-	Electronic Iris (indoor use)	Electronic Iris (indoor use)
Electronic Iris range	-	-	-
Synchronizing System	Internal Sync. / Line Lock - DIP SW	Internal Sync. / Line Lock - Slide SW (side)	Internal Sync. / Line Lock - Slide SW (side)
Sockets	Video Signal	VIDEO OUT - BNC	VIDEO OUT - BNC (rear)
	Power Supply	24V AC, GND, 12V DC	24V AC, GND, 12V DC
Environmental Conditions	Operating Temp.	Temperature: +14° - 122°F [-10°C - 50°C]	Temperature: +14° - 122°F [-10°C - 50°C]
	Storage Temp.	Temperature: -4° - 140°F [-20°C - 60°C]	Temperature: -4° - 140°F [-20°C - 60°C]
	Operating Humidity	Humidity: Within 90% RH	Humidity: Within 90% RH
	Storage Humidity	Humidity: Within 70% RH	Humidity: Within 70% RH
Power Requirement	24V AC, 60 Hz or 12V DC	24V AC, 60 Hz or 12V DC	24V AC, 60 Hz or 12V DC
Power Consumption (approx.)	4.2 W	3.5 W	2.5 W
Dimensions (approx.)	6.4(W) x 4.6(H)in. [162(W) x 114.8(H)]mm	6.4(W) x 4.6(H) [162(W) x 114.8(H)]	6.4(W) x 4.6(H) [162(W) x 114.8(H)]
Weight (approx.)	VDC-C1174VA: 47.6 oz. [1,350g] VDC-C2174VA: 35.8 oz. [1,015g]	VDC-C1124V: 47.6 oz. [1,350g] VDC-C2124V: 35.8 oz. [1,015g]	VDC-M1124V: 47.6 oz. [1,350g] VDC-M2124V: 35.8 oz. [1,015g]



SANYO

SANYO Security Products
21605 Plummer Street
Chatsworth, CA 91311
Phone: (888) 893-7403
Fax: (888) 818-2597
Technical Support: (888) 66-SANYO
www.sanyocctv.com